

Large Internal Corner Cap - INJ59

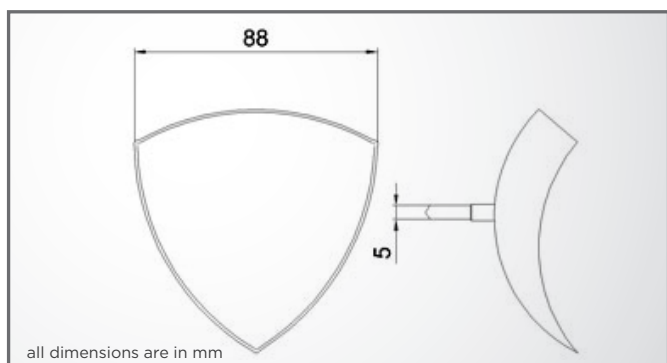
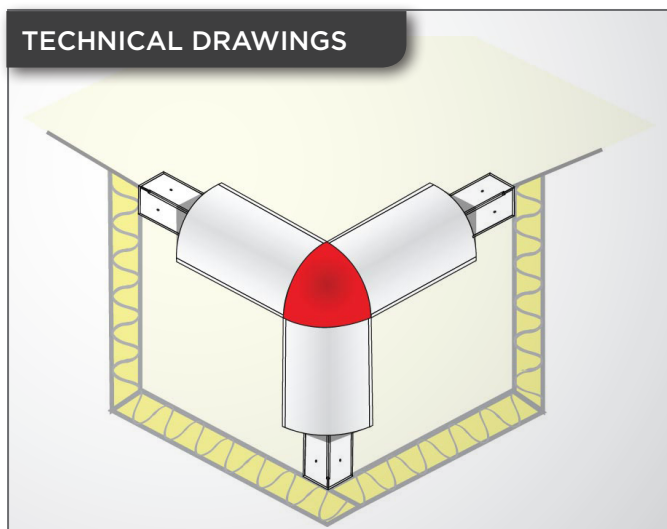
T.1.00



APPLICATION

Corner cap for finishing large PVC coverings profiles in cold- and cleanrooms.

TECHNICAL DRAWINGS



PRODUCT INFORMATION

Product Range:

Castel COOL

Product Group:

Large PVC Coving

Ref	Description
0601.00002.018	Large Internal Corner Cap INJ59 - 9002
0601.00002.020	Large Internal Corner Cap INJ59 - 9010
0601.00002.021	Large Internal Corner Cap INJ59 - 9010N

STANDARD COLORS

9002, 9010 and 9010N

Available on request: 9005, 3020, 5010, 6018, 1021, 9006

MATERIAL

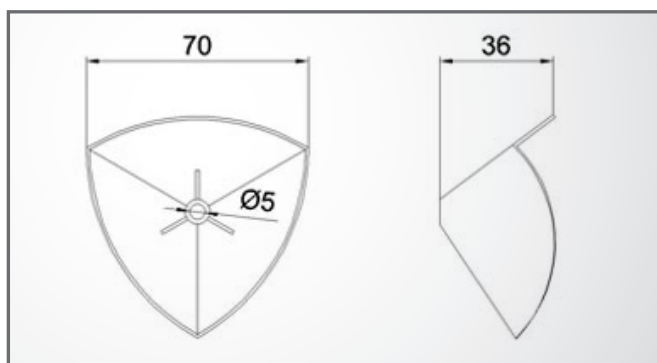
PELD (Polyethylene)

ADVISED WORKING TEMPERATURES

Temperature range: between -30°C and +60°C in a static position

RELATED PRODUCTS

Accessories for EX.14: INJ297, INJ352A



Large Internal Corner Cap - INJ59

T.1.00

ORDERING INFORMATION

Ref	Commercial Ref.	Color	Min. Packing	packing Box
0601.00002.018	INJ.59	9002	10 pcs	450 pcs (80x40x35cm)
0601.00002.020	INJ.59	9010	10 pcs	450 pcs (80x40x35cm)
0601.00002.021	INJ.59	9010N	10 pcs	450 pcs (80x40x35cm)

other configurations: contact us

STORAGE

Product is required to be stored in its original packaging, in a dry location sheltered from the weather conditions. Advised storage temperature range: +10°C and +50°C

MOUNTING

Product must be handled and installed only by a professional. Admissible temperature range for installation: between +10°C and +50°C

DISCLAIMER

Castel Engineering, Rue de la Royenne 84, B-7700 Mouscron, Tel +32 (0) 56 33 68 40 – Fax. +32 (0) 56 33 78 10
 Copyright © 2015 Castel Engineering – All rights reserved.

Castel Engineering and its Affiliates' liability terminates when the original packaging in which the product is contained, has been opened or damaged. Castel Engineering and its Affiliates' warranty is exclusively limited to providing a product of quality conform to their technical specifications.

Those who in any way utilize the product(s) are solely responsible for determining (a) the suitability of the product for the intended use, (b) the appropriate manner of processing and maintaining the product to ensure safety and quality and (c) chemical, physical and health effects related to those activities, (d) to inform themselves in order to be able to decide if specific tests are necessary for their intended use* in respect to norms and regulations in application at the location of their intended use*.

The product should be installed with respect to possible climatic and seismic conditions when in use and during the installation and in conformity to the installation instructions and recommendations of the manuals of the air conditioning device.

The qualified installer is supposed to have professional knowledge

Appropriate tools and materials for installation and for maintenance must be selected and used according to the professional know-how, in respect with the nature of our products and in compliance with all procedures and regulations in application at the location of installation.

All above parameters, factors, operations, regulations, compliances and procedures are totally beyond Castel Engineering sa and its Affiliates' control.

By selling this product Castel Engineering sa and its Affiliates acts in a simple sale – purchase transaction.

Castel Engineering and its Affiliates disclaim any and all responsibility and liability for the use of any such data, information and/or the relevant product.

All dimensions in this document are in mm unless otherwise specified. (Tolerances apply)

* See application